

Wireless Power User Guide

Trevor Barcelo

OVERVIEW

An inductive wireless power system consists of a transmitter that generates a high frequency alternating magnetic field and a receiver that collects power from that field. The resonant coupled system described here provides for increased power transmit distance and reduced alignment sensitivity, with no need for a coupling core.

To build a wireless power system four items are required: transmitter electronics, transmit coil, receive coil and receiver electronics. The LTC4120 wireless synchronous buck charger combined with minimal external circuitry comprises the receiver electronics (Figure 1). Please see the [LTC4120](#) data sheet for more detail.

LT, LT, LTC, LTM, Linear Technology and the Linear logo are registered trademarks of Linear Technology Corporation. All other trademarks are the property of their respective owners.

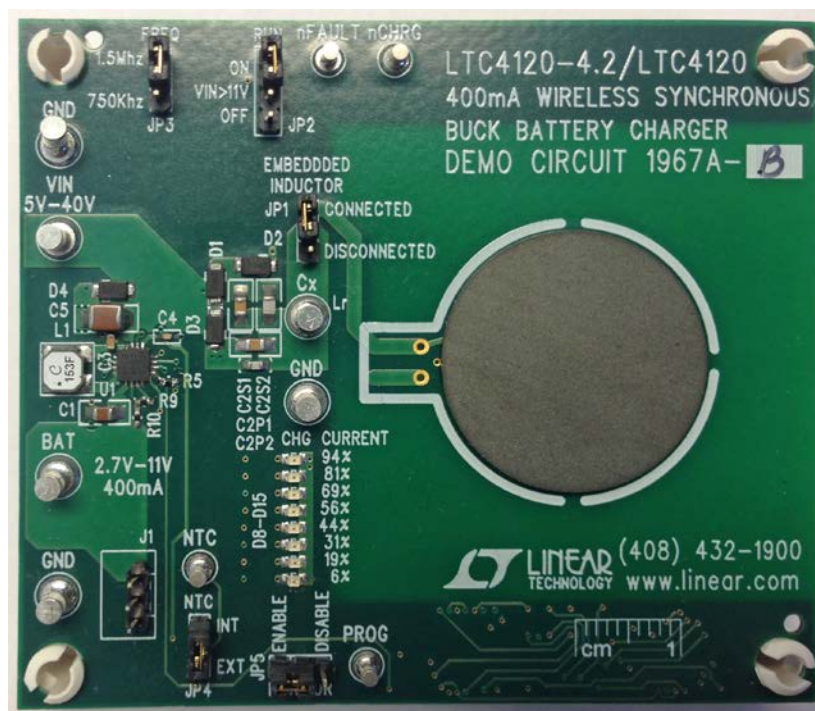


Figure 1. LTC4120 Receiver Demo Board

Application Note 138

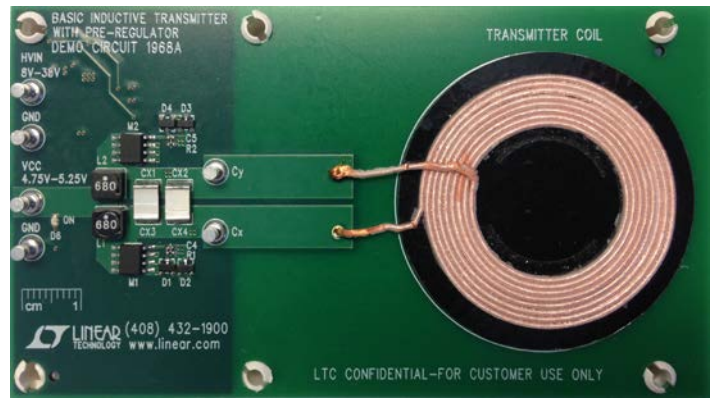


Figure 2. Implementation of Basic Transmitter Reference Design



Figure 3. Proxi-Point Transmitter



Figure 4. Proxi-2D Transmitter

Transmitter Solutions

Currently there are four transmitter options available for design or off-the-shelf purchase:

1. **Basic:** This wireless power design (Figure 2) was developed by collaboration between PowerbyProxi Inc. and Linear Technology. It is provided as an open source reference design that can be used to integrate the LTC4120 into a wireless power system. The details of the push-pull current-fed resonant converter are described later in this document.
2. **Proxi-Point:** This is an advanced transmitter (Figure 3) that is available from PowerbyProxi. For further information visit www.powerbyproxi.com. It is ready to use or incorporate directly into a product. Unlike the basic transmitter, it offers features such as foreign metal detection, low standby power and a stable crystal-controlled operating frequency. The transmit coil is built in.
3. **Proxi-2D:** This is an advanced transmitter (Figure 4) that is available from PowerbyProxi. For further information visit www.powerbyproxi.com. It is ready to use or incorporate directly into a product. Unlike Proxi-Point, it is capable of charging multiple receivers simultaneously in any orientation on the 2D charging surface. The transmit coil is built in.
4. **Proxi Custom:** If the above options are not suitable for your application, a custom transmitter can be designed and manufactured to meet your requirements. Please contact PowerbyProxi at info@powerbyproxi.com for further information and pricing or visit www.powerbyproxi.com.

BASIC TRANSMITTER

The basic transmitter for the LTC4120, described in the following sections, combined with a receive coil and LTC4120-based receiver electronics can be used to produce a wireless battery charging system. This wireless battery charging system enables evaluation of the LTC4120 using standard components.

Basic is a resonant DC-AC transmitter. It is a simple, easy and inexpensive transmitter designed to work with the LTC4120. Pre-regulation is required to provide a relatively precise DC input voltage to meet a given set of receive power requirements. The basic transmitter does not feature foreign object metal detection and can therefore cause these objects to heat up. Furthermore, the operating frequency of the basic transmitter can vary with component selection and load.

The system draws power from a DC power supply to wirelessly charge multi-chemistry batteries. A block diagram of the system is shown in Figure 5.

While the basic transmitter can be used to build a wireless battery charging system, a Proxi-Point or Proxi-2D transmitter is recommended for applications requiring enhanced features as described in the Appendix.

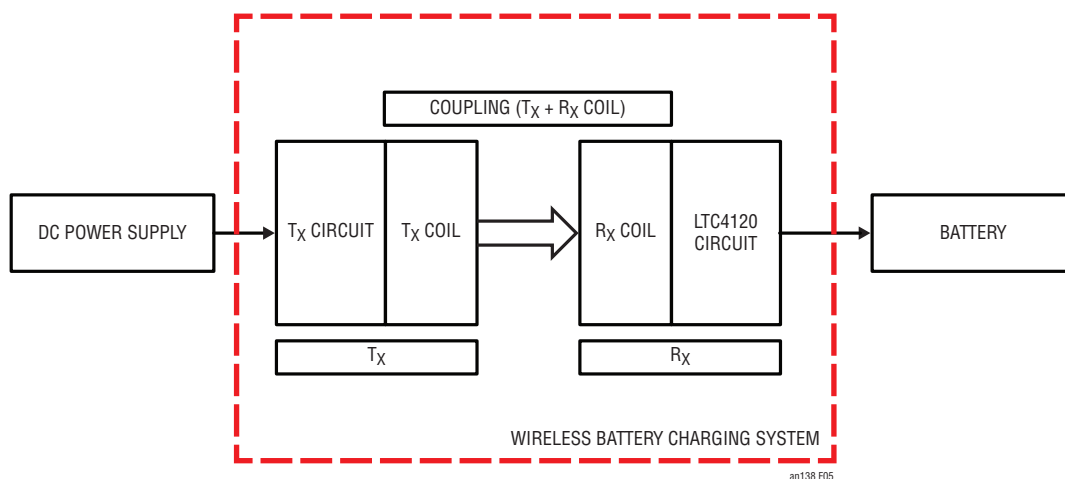


Figure 5. Functional Block Diagram of Wireless Battery Charging System

Application Note 138

System Functional Block Description

LTC4120-based wireless battery charging systems use wireless power transfer technology with Dynamic Harmonization Control (DHC), a patented technique that enables optimal wireless power transfer across a variety of conditions while providing thermal management and overvoltage protection. The resonant coupled system described here eliminates both the need for precise mechanical alignment as well as the need for a coupling core. The charging system is composed of transmitter electronics, transmit coil, receive coil and receiver electronics.

The transmit coil, L_X , is energized by the transmitter electronics to generate a high frequency magnetic field (typically around 130kHz, though the operating frequency varies depending on the load at the receiver and the coupling to the receive coil). This magnetic field induces a voltage in the power receive coil, L_R . After being tuned with a capacitor, this induced voltage is managed by the LTC4120 in order to control the power transfer. A typical transmitter generates an AC coil current of about 2.5A RMS.

The receive coil, L_R , is configured in a resonant circuit followed by a rectifier and the LTC4120. Please see the [LTC4120](#) data sheet for more detail. The receive coil presents a load reflected back to the transmitter through the mutual inductance between L_R and L_X . The reflected

impedance of the receiver may influence the operating frequency of the transmitter. Likewise, the power output by the transmitter depends on the load at the receiver. The charging system, consisting of both the transmitter and LTC4120 charger, provides an efficient method for wireless battery charging. The power output by the transmitter varies automatically based on the power used to charge a battery.

Circuit Description

The basic transmitter is a current-fed push-pull transmitter capable of delivering 2W to the battery output of the LTC4120. The basic transmitter schematic is shown in Figure 6. The switches in this push-pull transmitter are driven from the voltage on the opposing leg and no additional control circuitry is required to drive them. The switch driving circuitry consists of a resistor, turn-off diode, gate capacitor and a Zener diode for each switch.

The voltage rating of the Zener diodes D1 and D4 is chosen to fully turn on M1 and M2 while protecting them from overvoltage.

The current limiting gate resistors R1 and R2 are selected according to the maximum V_{DS} of M1, M2 and the current rating of the Zener diodes.

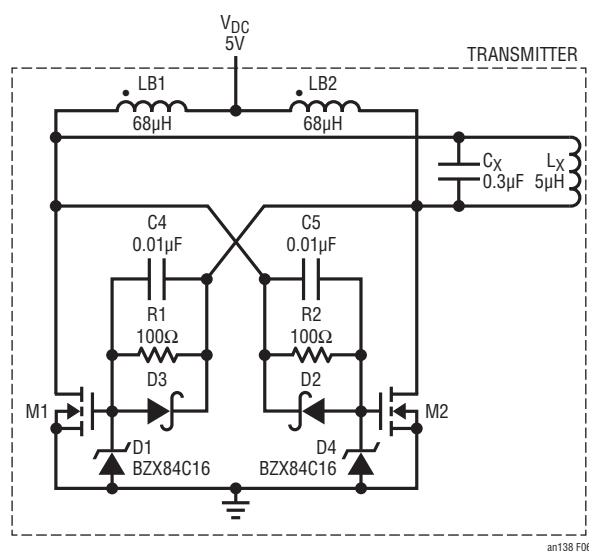


Figure 6. Schematic of a Basic Transmitter for LTC4120

The resultant voltage waveforms across L_X are shown in Figure 7.

The basic transmitter design is simple, easy to assemble and test. Table 1 lists components used to build the basic transmitter. The resonant operating frequency of the transmitter should match that of the receiver. The operating frequency is calculated as follows:

$$f_0 = \frac{1}{2\pi\sqrt{L_X C_X}}$$

Basic Design Recommendations

Due to the high frequency magnetic fields generated by the transmitter electronics, there is a potential for the induction of eddy currents in foreign metal objects that

are within range of the transmitter coil's field. These eddy currents can result in heat or small induced voltages in these objects. In order to ensure users and devices are not exposed to such hazards it is recommended that:

- A thermal detection system be integrated with the basic transmitter. This detection system should turn the magnetic field off if elevated temperature is detected.
- Electronic devices that are intended to be used with the basic transmitter be thoroughly tested to ensure there is no damage to the device or hazard to the user.
- All practical measures (e.g., labeling and user instruction) be taken to ensure electronic devices not intended for usage with the basic transmitter are not placed on the L_X coil.

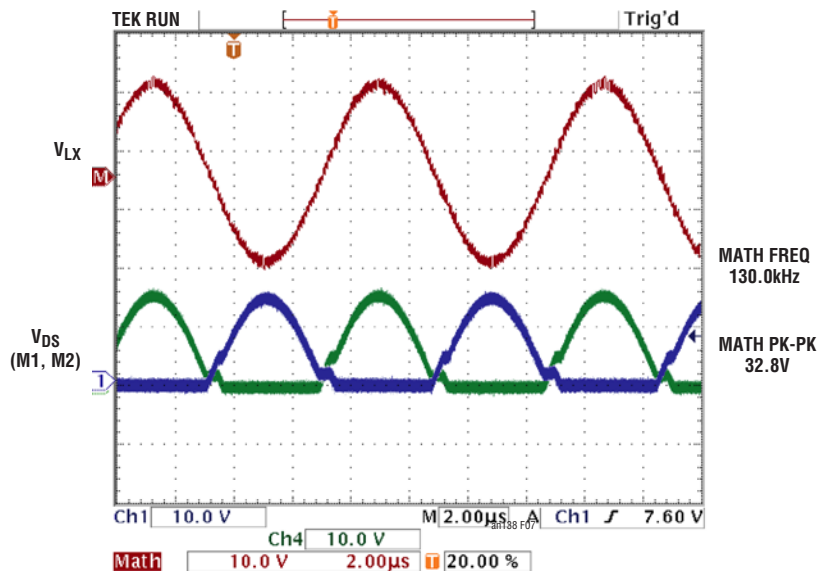


Figure 7. System Waveforms (with Receiver and 1.7W Load). Drain Voltage of M1 (CH1), Drain Voltage of M2 (CH4), and Output AC Voltage Across L_X .

Table 1. Components Used to Build the Basic Transmitter

CIRCUIT CODE	DESCRIPTION	VALUE (PARAMETERS)	VENDOR	VENDOR PART NUMBER
L_X	Tx Coil	5µH	TDK	WT-505060-8K2-LT
C_X	C_X Capacitors	2 × 0.15µF	Panasonic	ECHU1H154GX9
LB1, LB2	Inductors	68µH	TDK	VLCF5028T-680MR40-2
M1, M2	MOSFET	$V_{DS} = 60V, R_{DS(ON)} = 11m\Omega$	Vishay	Si4108-TI-GE3
D1, D4	Zener Diode	$V_Z = 16V, P_D = 350mW$	Diodes	BZX84C16
D2, D3	Schottky Diode	40V, 1A	On Semi	NSR10F40NXT5G
C4, C5	Gate Capacitor	0.01µF, 50V	Kemet	C0402C103K5RACTU
L_R	Rx Coil	47µH	Embedded PCB Coil	Link to DC1967A Files
	Rx Coil Ferrite	25mm Diameter	TDK	B67410-A223-X195

an138fa

Application Note 138

Measured Data

Tables 2 to 4 list circuit parameters that can be verified during testing of the basic transmitter. The testing reflected here was done using the components shown in Table 1. Testing was conducted with Tx and Rx coils with gaps of 4.5mm, 7.5mm and 10.5mm. Figure 8 shows battery charger power curves with respect to transmit and receive coil separation and coil center-to-center offset. Figure 9 shows a typical charge profile with this wireless power configuration. Actual data will vary with component tolerance and specific setup.

Table 2. Basic Transmitter Circuit Parameters (4.5mm Gap)

SPECIFICATION	WITHOUT RECEIVER (STANDBY)	WITH RECEIVER (NO LOAD)	WITH RECEIVER (1.58W LOAD)
Operational Frequency	130.5kHz	128.7kHz	128.9kHz
Input Voltage	4.99V	4.99V	4.95V
Input Current	0.15A	0.173A	0.676A
RMS Value of T _x Output AC Voltage	10.9V	10.8V	10.4V
Peak Value of T _x Output AC Voltage	15.2V	15.2V	15.2V
Receiver Output DC Voltage	N/A	34.9V	27V
Standby Loss	0.75W	0.873W	N/A
Efficiency	N/A	N/A	47.1%

Table 3. Basic Transmitter Circuit Parameters (7.5mm Gap)

SPECIFICATION	WITH RECEIVER (NO LOAD)	WITH RECEIVER (1.535W LOAD)
Operational Frequency	129.5kHz	128.8kHz
Input Voltage	4.99V	4.96V
Input Current	0.154A	0.602A
RMS Value of T _x Output AC Voltage	10.9V	10.5V
Peak Value of T _x Output AC Voltage	15.2V	15.2V
Receiver Output DC Voltage	23.9V	17.5V
Standby Loss	0.768W	N/A
Efficiency	N/A	51.4%

Table 4. Basic Transmitter Circuit Parameters (10.5mm Gap)

SPECIFICATION	WITH RECEIVER (NO LOAD)	WITH RECEIVER (1.53W LOAD)
Operational Frequency	130.2kHz	128.8kHz
Input Voltage	4.99V	4.95V
Input Current	0.156A	0.658A
RMS Value of T _x Output AC Voltage	10.8V	10.5V
Peak Value of T _x Output AC Voltage	15.2V	15.2V
Receiver Output DC Voltage	17.4V	13.9V
Standby Loss	0.77W	N/A
Efficiency	N/A	46.9%

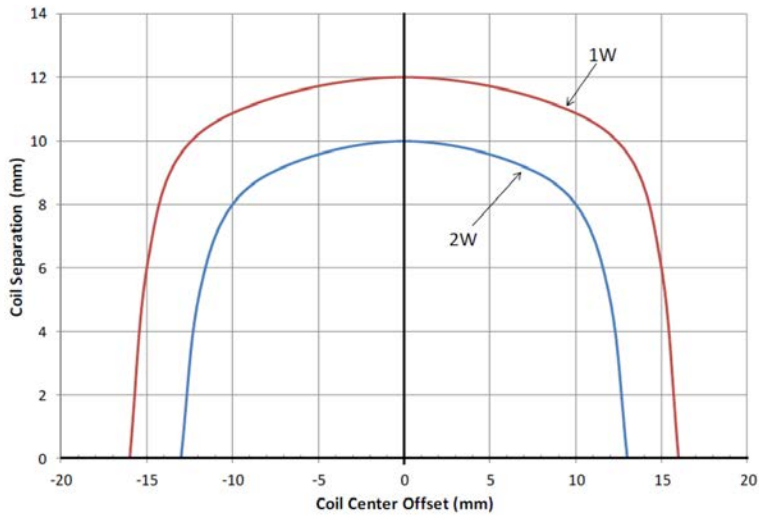


Figure 8. Battery Charger Power vs R_x - T_x Coil Location

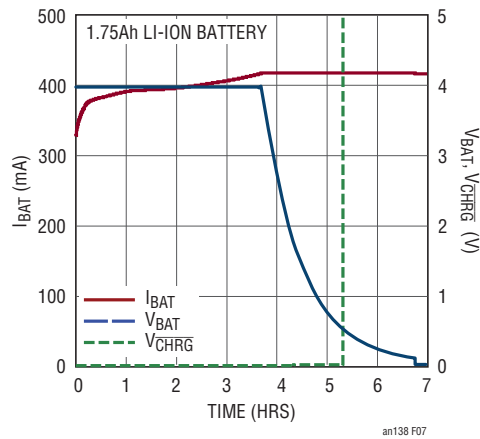


Figure 9. Typical Battery Charge Profile Using LTC4120 and the Basic Transmitter.

Application Note 138

APPENDIX: PROXI-POINT AND PROXI-2D

The patented Proxi-Point and Proxi-2D transmitters are available as fully assembled, tested and certified off-the-shelf solutions from PowerbyProxi. For further information visit, www.powerbyproxi.com.

The receive coil is configured in a resonant circuit followed by a rectifier and the LTC4120. The transmitter frequency is controlled by a crystal oscillator and will not vary significantly from the designed value. The power output by the transmitter depends on the load at the receiver. The impedance of the resonant receiver presents a load reflected back to the transmitter, so the transmitted power will automatically vary depending on receiver power as the LTC4120 charges the battery. The wireless power charging system—consisting of either the Proxi-Point or Proxi-2D transmitter and the LTC4120-based receiver—provides an efficient method for wireless battery charging.

Table 5 compares features offered by the various transmitter options.

Further details regarding Proxi-Point, Proxi-2D and Proxi custom solutions can be found at www.powerbyproxi.com

Table 5. Features and Functions of Transmitter Options

FEATURES AND FUNCTIONS	BASIC	PROXI-POINT	PROXI-2D
Rated Power	2W	2W	2W per Receiver
Receivers per Transmitter	Single	Single	Multiple
Freedom of Placement	×	×	√
Intelligent Foreign Metal Object Detection*	×	√	√
EMC/EMI Compliant Off-The-Shelf	×	√	√
Fixed Operating Frequency	×	√	√
Supplied AC/DC Adaptor	×	√	√
Reverse-Polarity Protection	×	√	√
Built-In Transmit Coil	×	√	√
Low Power Standby**	×	√	√
Available for Purchase	×	√	√

* This feature is a way of preventing foreign metal objects from heating when they are placed over the transmit coil.

** This feature allows the transmitter to autonomously enter a low power state when there is no receiver within charging range of a transmitter or if the receiver in range does not require power.